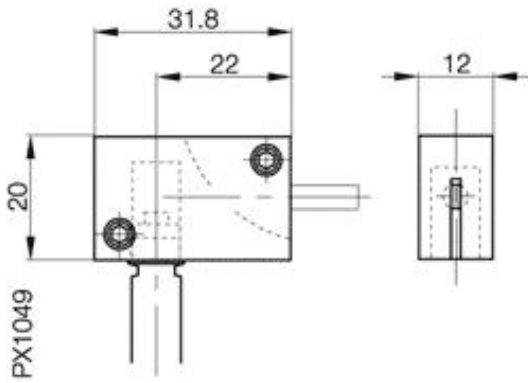


Accessories: Mounting unit BES 08-FA-BS-4.0-W



Common Data

Version	positive stop clamping cuff right angle
Usable with	for sensors with diameter 4mm
Ambient temperature	-25°C...+100°C

Mechanical Data

Measurements WxHxD or Dia x D	32x20x12
Material	Aluminium
Mounting	clamped on positive stop

Datasheet number::

Definitions see general catalog.
If not otherwise noted, ratings according to
IEC 60947-5-2 (DIN EN60947-5-2)

Balluff GmbH
Schurwaldstrasse 9
73765 Neuhausen a.d.F.
Phone (07158) 173-0 Fax (07158) 5010

Datenblatt by CD-ROM - 04/2007

BALLUFF
sensors worldwide